



# 4FACEPLUS

Všestranné riešenie pre rovinné frézovanie

ISO

P

M

K

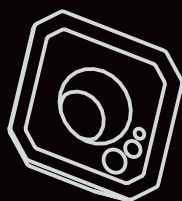
N

S

Frézovacia hlava **-75%** pri odbere 30ks došt. SEET

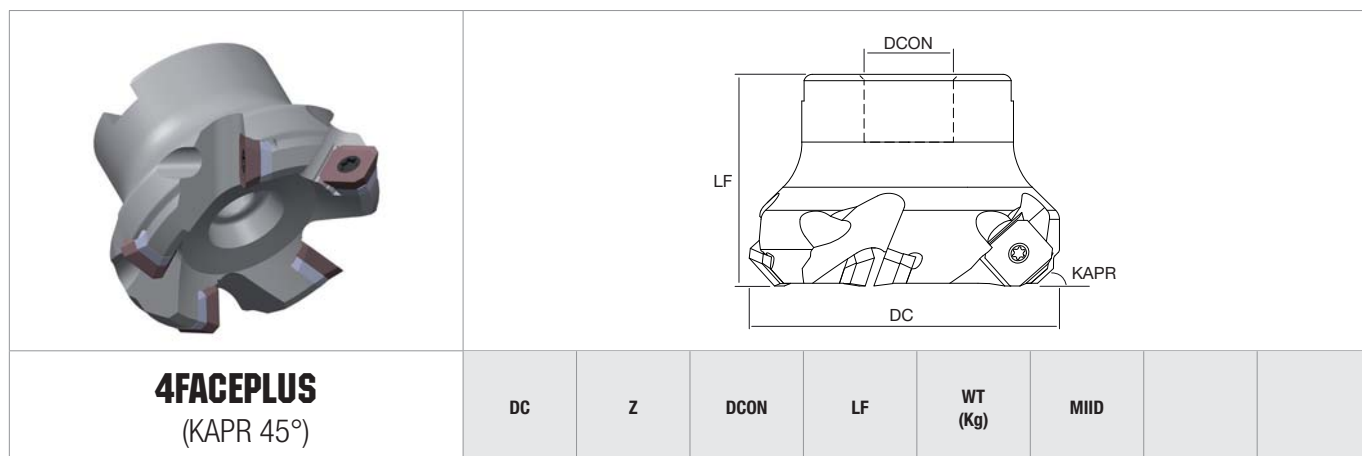


[www.sktrade.sk](http://www.sktrade.sk)



4 rezné hrany

**nixko**TOOLS



<b>4FACEPLUS</b> (KAPR 45°)		DC	Z	DCON	LF	WT (Kg)	MIID		
NT-SE13	D050-F22-Z4	50	●	4	22	40	0.50	SEET13 SEMT13	
	D050-F22-Z5		●	5	22	40	0.50		
	D063-F22-Z5	63	●	5	22	50	0.70		
	D063-F22-Z6		●	6	22	50	0.70		
	D080-F27-Z6	80	●	6	27	50	1.20		
	D080-F27-Z8		●	8	27	50	1.20		
	D100-F32-Z7	100	●	7	32	50	1.80		
	D100-F32-Z10		●	10	32	50	1.80		
	D125-F40-Z8	125	●	8	40	63	3.00		
	D125-F40-Z12		●	12	40	63	3.00		
	D160-F40-Z10	160	●	10	40	63	5.00		
	D200-F60-Z12	200	●	12	60	63	8.00		

POPIS		JP5520	JP5530	JP9535	JP7525	JU6520
SC, GP, TE	SEET13T3AGEN-SC,GP,TE	● 5,90	● 6,53	● 6,53		
AL	SEET13T3AGFN-AL					● 7,16
GG, GH	SEET13T3AGSN-GG,GH				● 6,53	